

ARMASAFE™
plus



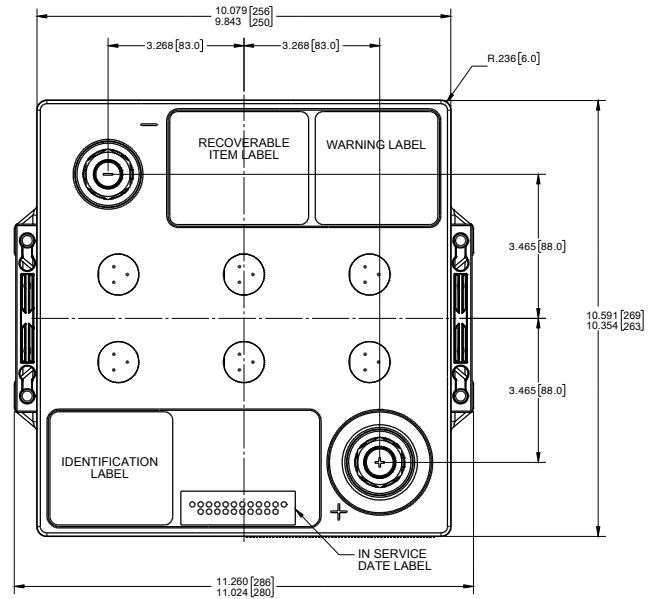
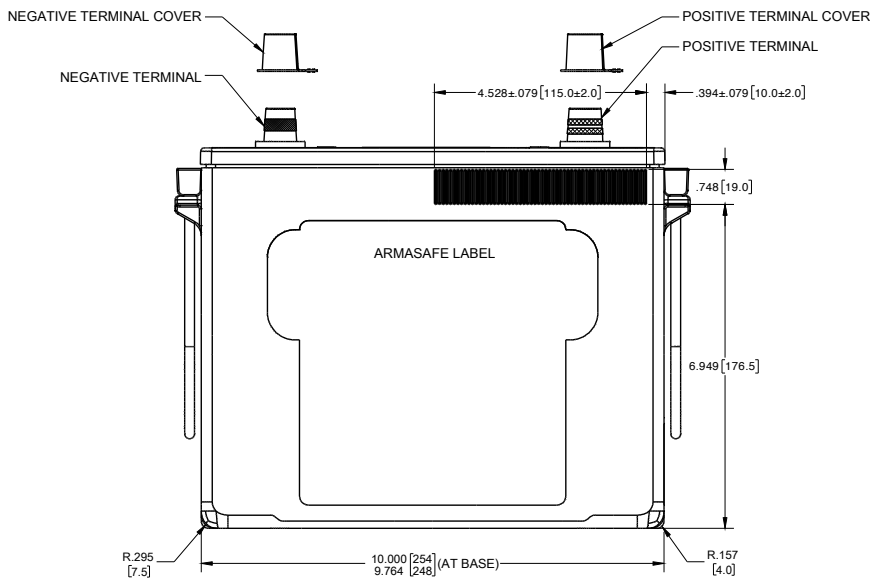
Hawker® ARMASAFE™ Plus

BATTERY, VEHICLE, STORAGE

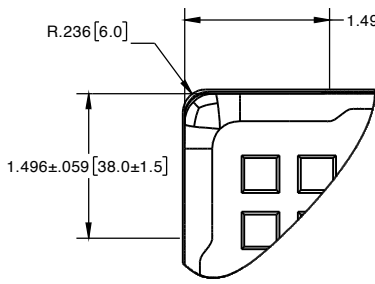
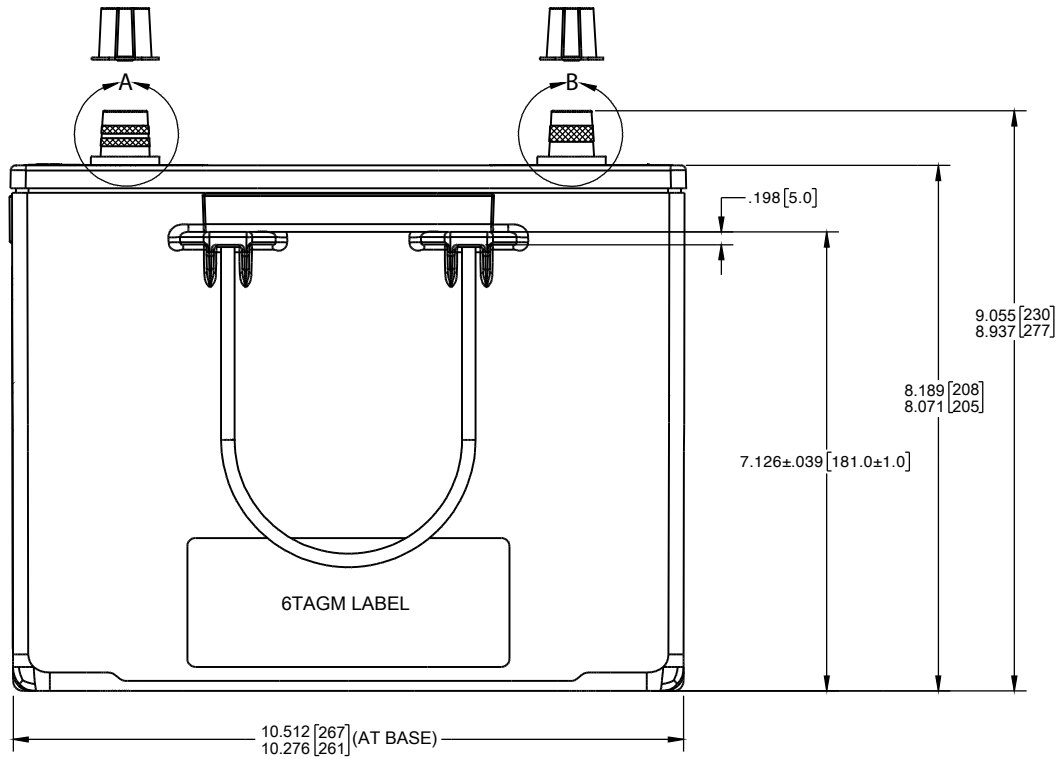
Model: HASP-FT/6TAGM

Part Number: 9750N7025

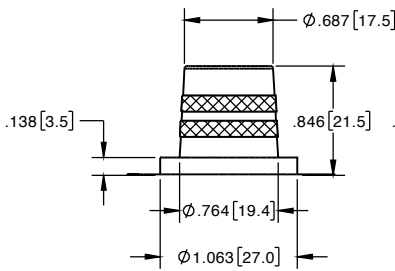
NSN: 6140-01-485-1472



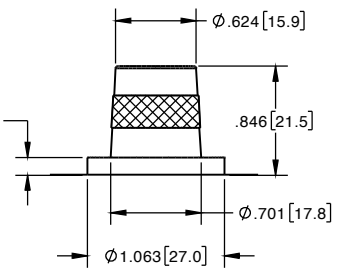
Dimensions shown are in inches [millimeter];
 $\begin{matrix} \text{xx.xxx [xxx]} \\ \text{xx.xxx [xxx]} \end{matrix} = \begin{matrix} \text{Max} \\ \text{Min} \end{matrix}$



BOTTOM CORNER VIEW



**DETAIL A
POSITIVE TERMINAL**



**DETAIL B
NEGATIVE TERMINAL**

Dimensions shown are in inches [millimeter]; $\begin{matrix} \text{XX.XXX} [\text{XXX}] \\ \text{XX.XXX} [\text{XXX}] \end{matrix} = \begin{matrix} \text{Max} \\ \text{Min} \end{matrix}$



www.hawkerbattery.com/resources



EnerSys World Headquarters
2366 Bernville Road
Reading, PA 19605, USA
Tel: +1-610-208-1991 /
+1-800-538-3627